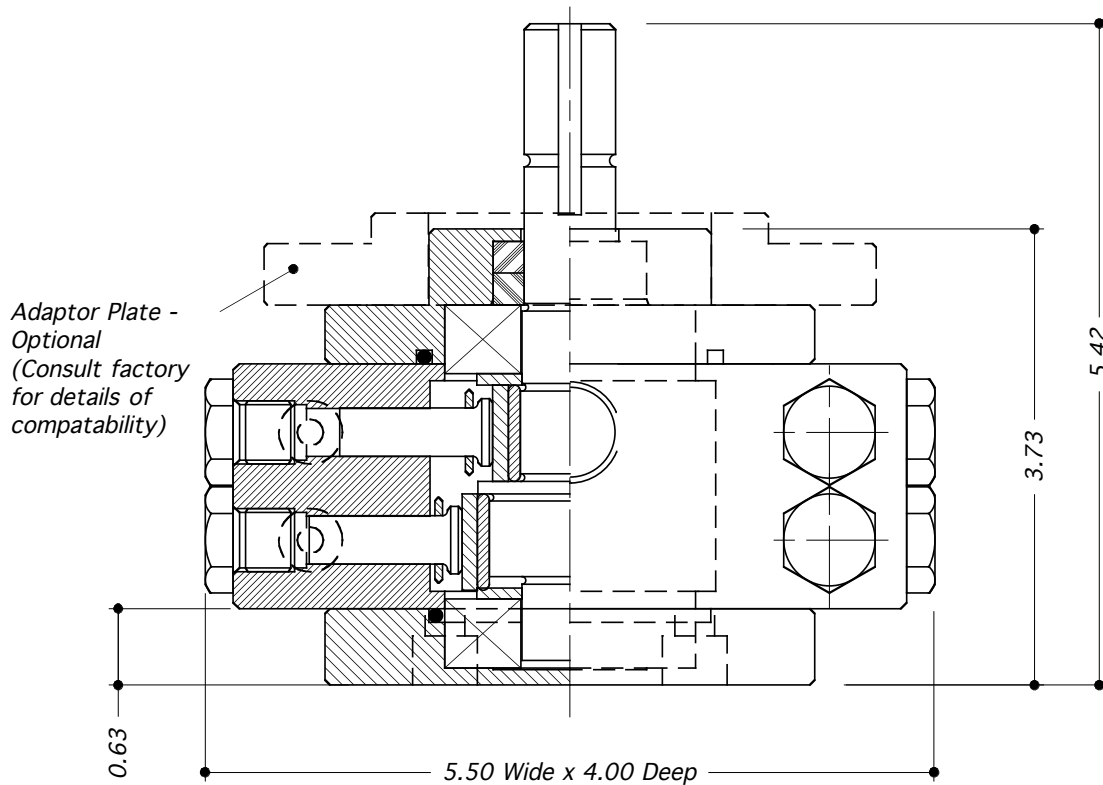


H.P. RADIAL PISTON PUMP TYPES: 260PR & 520PR



Valves Ltd

- MILD STEEL (EN1A / 220M07)
- SUITABLE FOR MINERAL OIL USE.
- ALL DIMENSIONS IN INCHES.



Note: This unit can be used with certain water glycol fluids. Consult factory for details.

TECHNICAL SPECIFICATION				ORDERING EXAMPLE
Material Option (non-std)		Not Applicable		—
Pump Type:		260PR	520PR	520PR
Max. Working Pressure:		12,000 psi		12K
Connections:		Suction: 1/2" BSP	Discharge: 1/4" BSP	
Delivery Rate:	Off Load	0.35 Galls/min	0.68 Galls/min	
	On Load	0.20 Galls/min	0.48 Galls/min	
Power Consumption:	Off Load	0.90 kW	1.00 kW	
	On Load	2.90 kW	5.20 kW	
Pump - r.p.m.		1440		
Working Fluid Viscosity Range:		10 - 250 cSt.		
Suction: (Lift)		12" Water Gauge		
Dry Weight: (kg)		9.0		
Working Temperature Range:		-10°C to +60°C (Oil)	-10°C to +40°C (other fluids)	
External Construction:		Mild Steel (En1A / 220M07)		

Note: Delivery and Power consumption vary linearly with output pressure. Hence, Flow and Power consumption may be determined by linear interpolation between stated "off-load" and "on-load" (12,000 psi) figures.